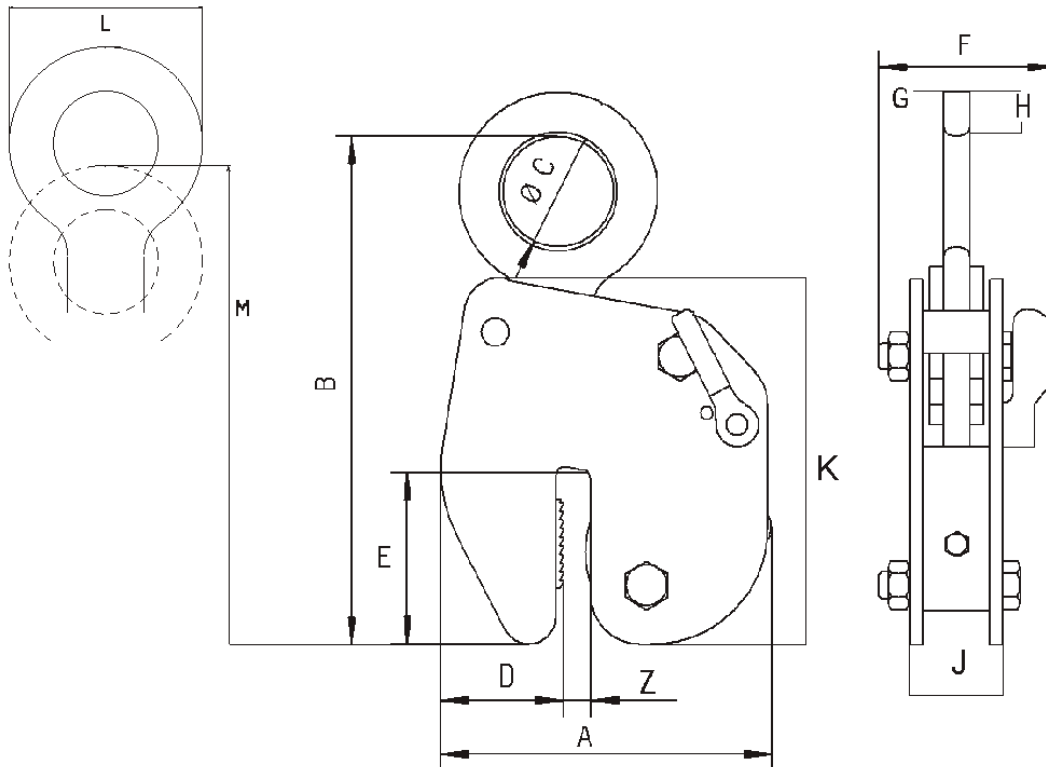


DESCRIPTION

The Camlok series of high grip plate lifting clamps can be used on all structural steel plates and sections up to a surface hardness of 376 Brinell. They develop a much higher grip on the plate than the normal universal type and can be used for lifting and turning plates from the horizontal to vertical and back to the horizontal through 180° or vice versa. They are particularly useful for lifting stainless steel or plates with hardened surfaces due to cold rolling.

DIAGRAM



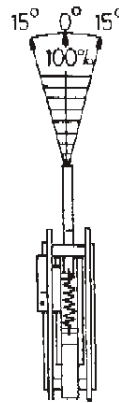
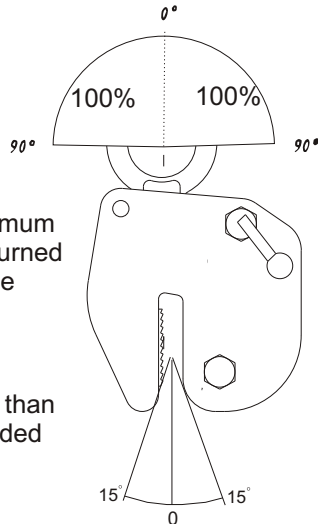
TABLE

| MODEL | WLL Tons | Plate mm Z | Weight kg | A | B | C | D | E | F | G | H | J | K | L |
|-------|-------------|---------------|--------------|-----|-----|----|-----|-----|-----|----|----|----|-----|-----|
| HG0.5 | 0.5 | 0-10 | 5 | 148 | 230 | 50 | 79 | 55 | 80 | 13 | 20 | 42 | 165 | 90 |
| HG1 | 1 | 0-16 | 12 | 210 | 297 | 67 | 114 | 75 | 93 | 13 | 20 | 60 | 219 | 108 |
| HG2 | 2 | 0-20 | 22 | 305 | 416 | 80 | 159 | 102 | 110 | 20 | 32 | 70 | 317 | 140 |
| HG3 | 3 | 0-20 | 27 | 305 | 416 | 80 | 159 | 102 | 110 | 20 | 32 | 70 | 317 | 140 |
| HG4 | 4 | 0-20 | 32 | 305 | 435 | 89 | 158 | 102 | 120 | 20 | 32 | 80 | 317 | 158 |

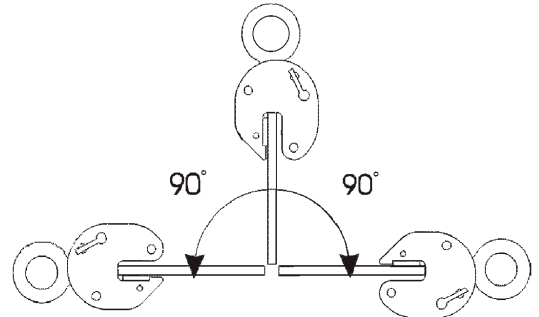
Load Diagram with sling vertical

Loads weighing the maximum W.L.L may be lifted and turned through 180 degrees in the plane of the clamp

Load must hang no more than 15 degrees when suspended by the clamp only.



Loads weighing the maximum W.L.L may be lifted through 15 degrees in the plane of the clamp



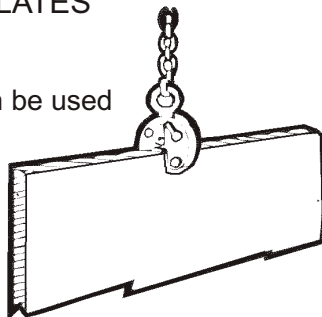
RESTRICTIONS

The clamp is not suitable for steel over 376 Brinell, lead, certain grades of copper and materials over 120° surface temperature. The working load limit of the clamp should be as close as possible to the actual load to be lifted. This ensures that the clamp is working at maximum efficiency. Loads below 20% of the working load limit should be avoided extra care must be taken when lifting plates in the lower 20% of the rated jaw capacity. Excessive wear and a reduction in working life can be caused if a clamp is continuously used to lift the same thickness material.

NB. This clamp will mark the surface of the material being lifted

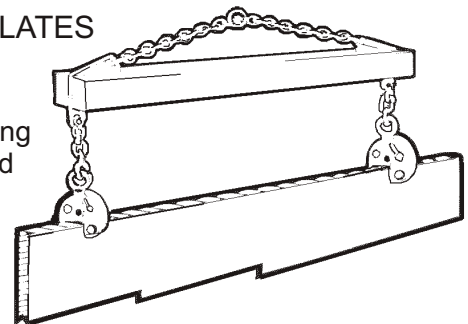
FOR SHORT PLATES

A single clamp can be used



FOR LONG PLATES

2 clamps and a lifting beam must be used



OPTIONS



The standard clamp is fitted with a hook ring but can alternatively be supplied with a short length of chain and master link. This aids in the attachment to larger crane hooks and prevents accidental release when fast lowering. Additional jaw sizes are also available. Call our sales team to find out more.

